

# REXI BLOCK

SLAM SHUT VALVE

geca

Tecno  
Control



# WE'RE A RESILIENT GROUP

Being a Group means having the culture, expertise, service and products the Customer needs to succeed.

**CPF Industriale, Geca and Tecnocontrol** have been created to meet market demand in real time, to show credibility and structural strength.

It's true. We're a resilient group because in over 70 years we have been able to understand and bring technology, products and customer service in line with the real needs of our Customers, who have changed incredibly over time. We have placed extreme attention on listening, analysing and studying without interfering with the final goal: **Uncompromised Quality.**

**Our Group is currently able to design, manufacture and sell** in the OEM, Industrial Gas Companies, Plumbing and Heating, HVAC, Gas distribution, Gas Safety and Oil & Gas sectors and operates in 91 countries worldwide.





### REXI BLOCK

The slam shut valve **REXI BLOCK** is a safety device which quickly intercepts gas flow when the controlled pressure reaches a pre-set limit due to any anomaly in the system, or when required by the operator at the installation point or from a remote point.

Strongly recommended for medium and low pressure gas distribution networks, this device can be used with natural gas and previously filtered non-corrosive gases.

# REXI BLOCK

**SLAM SHUT VALVE**  
Pmax 20 bar



**REXI BLOCK - HC**

# OPERATING FEATURES

**Maximum inlet pressure (Pu)** 20 bar

---

**Slam Shut valve** OPSO 30 mbar to 6 bar \* *(refer to the table)*  
UPS0 6 mbar to 3,5 bar \* *(refer to the table)*

---

**AC Accuracy class** up to 10

---

**Working Temperature** - 20°C to + 60°C

---

**Use** Not Aggressive gases of three families - NG  
LPG - Air

---

**Dimension** **REXI BLOCK:**  
1" - 1" / 1" - 1 1/2" / 1 1/2" - 1 1/2" / 2" - 2" - Threaded  
DN40 - DN40 / DN50 - DN50 - Flanged  
**REXI BLOCK - HC:**  
DN25 - DN40 - DN50

---

**Body** Cast Iron GJS 400-18  
Aluminum EN46100  
Painted

---

**Diaphragms** Reinforced NBR

---

**O-rings** Nitrile rubber

---

The product is certified according to European Directive 2014/68/EU (PED).

# MAIN FEATURES



CODE		DESCRIPTION
<b>Slam Shut Valve - OPSO/UPSO</b>		
<b>Body 1" - 1"</b>		
<b>SSV025-LP/MP</b>		Slam Shut valve 1" - LP/MP Version - OPSO / UPSO
<b>SSV025-HP</b>		Slam Shut valve 1"- HP Version - OPSO / UPSO
<b>Body 1" - 1 1/2"</b>		
<b>SSV02540-LP/MP</b>		Slam Shut valve 1" - 1 1/2" - LP/MP Version - OPSO / UPSO
<b>SSV02540-HP</b>		Slam Shut valve 1" - 1 1/2"- HP Version - OPSO / UPSO
<b>Body 1 1/2" - 1 1/2"</b>		
<b>SSV040-LP/MP</b>		Slam Shut valve 1 1/2" - LP/MP Version - OPSO / UPSO
<b>SSV040-HP</b>		Slam Shut valve 1 1/2" - HP Version - OPSO / UPSO
<b>Body 2" - 2"</b>		
<b>SSV050-LP/MP</b>		Slam Shut valve 2"- LP/MP Version - OPSO / UPSO
<b>SSV050-HP</b>		Slam Shut valve 2" - HP Version - OPSO / UPSO
<b>Body DN40 - DN40</b>		
<b>SSVD40-LP/MP</b>		Slam Shut valve DN40 - LP/MP Version - OPSO / UPSO
<b>SSVD40-HP</b>		Slam Shut valve DN40 - HP Version - OPSO / UPSO
<b>Body DN50 - DN50</b>		
<b>SSVD50-LP/MP</b>		Slam Shut valve DN50 - LP/MP Version - OPSO / UPSO
<b>SSVD50-HP</b>		Slam Shut valve DN50 - HP Version - OPSO / UPSO
<b>Slam Shut Valve - OPSO</b>		
<b>Body 1" - 1"</b>		
<b>SSV025-LP/MP - OPSO</b>		Slam Shut valve 1" - LP/MP Version - Only OPSO
<b>SSV025-HP - OPSO</b>		Slam Shut valve 1"- HP Version - Only OPSO
<b>Body 1" - 1 1/2"</b>		
<b>SSV02540-LP/MP - OPSO</b>		Slam Shut valve 1" - 1 1/2" - LP/MP Version - Only OPSO
<b>SSV02540-HP - OPSO</b>		Slam Shut valve 1" - 1 1/2"- HP Version - Only OPSO
<b>Body 1 1/2" - 1 1/2"</b>		
<b>SSV040-LP/MP - OPSO</b>		Slam Shut valve 1 1/2" - LP/MP Version - Only OPSO
<b>SSV040-HP - OPSO</b>		Slam Shut valve 1 1/2" - HP Version - Only OPSO

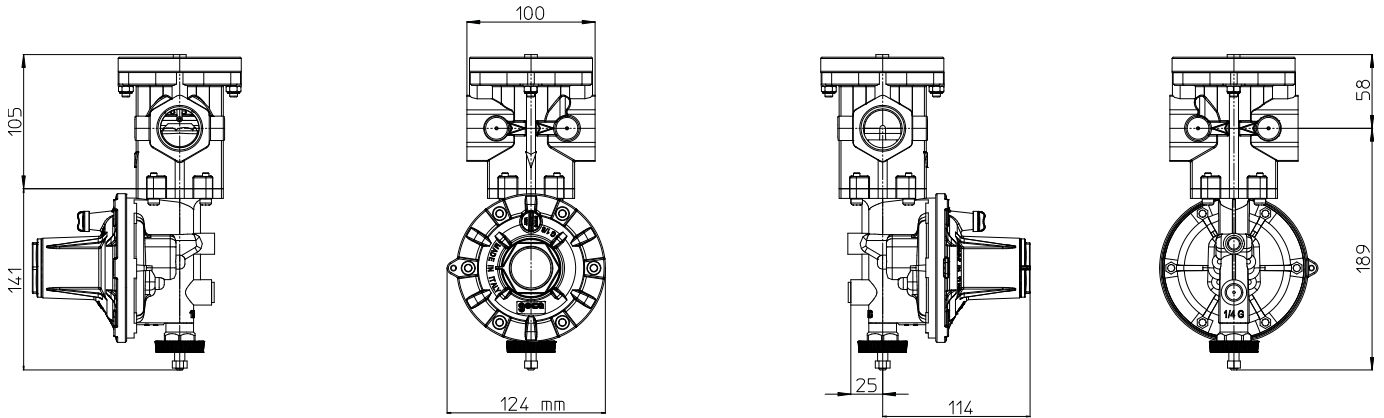


CODE	DESCRIPTION
<b>Body 2" - 2"</b>	
<b>SSV050-LP/MP - OPSO</b>	Slam Shut valve 2"- LP/MP Version - Only OPSO
<b>SSV050-HP - OPSO</b>	Slam Shut valve 2" - HP Version - Only OPSO
<b>Body DN40 - DN40</b>	
<b>SSVD40-LP/MP - OPSO</b>	Slam Shut valve DN40 - LP/MP Version - Only OPSO
<b>SSVD40-HP - OPSO</b>	Slam Shut valve DN40 - HP Version - Only OPSO
<b>Body DN50 - DN50</b>	
<b>SSVD50-LP/MP - OPSO</b>	Slam Shut valve DN50 - LP/MP Version - Only OPSO
<b>SSVD50-HP - OPSO</b>	Slam Shut valve DN50 - HP Version - Only OPSO
<b>Slam Shut Valve - UPSO</b>	
<b>Body 1" - 1"</b>	
<b>SSV025-LP/MP - UPSO</b>	Slam Shut valve 1" - LP/MP Version - Only UPSO
<b>SSV025-HP - UPSO</b>	Slam Shut valve 1"- HP Version - Only UPSO
<b>Body 1" - 1 1/2"</b>	
<b>SSV02540-LP/MP - UPSO</b>	Slam Shut valve 1" - 1 1/2" - LP/MP Version - Only UPSO
<b>SSV02540-HP - UPSO</b>	Slam Shut valve 1" - 1 1/2"- HP Version - Only UPSO
<b>Body 1 1/2" - 1 1/2"</b>	
<b>SSV040-LP/MP - UPSO</b>	Slam Shut valve 1 1/2" - LP/MP Version - Only UPSO
<b>SSV040-HP - UPSO</b>	Slam Shut valve 1 1/2" - HP Version - Only UPSO
<b>Body 2" - 2"</b>	
<b>SSV050-LP/MP - UPSO</b>	Slam Shut valve 2"- LP/MP Version - Only UPSO
<b>SSV050-HP - UPSO</b>	Slam Shut valve 2" - HP Version - Only UPSO
<b>Body DN40 - DN40</b>	
<b>SSVD40-LP/MP - UPSO</b>	Slam Shut valve DN40 - LP/MP Version - Only UPSO
<b>SSVD40-HP - UPSO</b>	Slam Shut valve DN40 - HP Version - Only UPSO
<b>Body DN50 - DN50</b>	
<b>SSVD50-LP/MP - UPSO</b>	Slam Shut valve DN50 - LP/MP Version - Only UPSO
<b>SSVD50-HP - UPSO</b>	Slam Shut valve DN50 - HP Version - Only UPSO

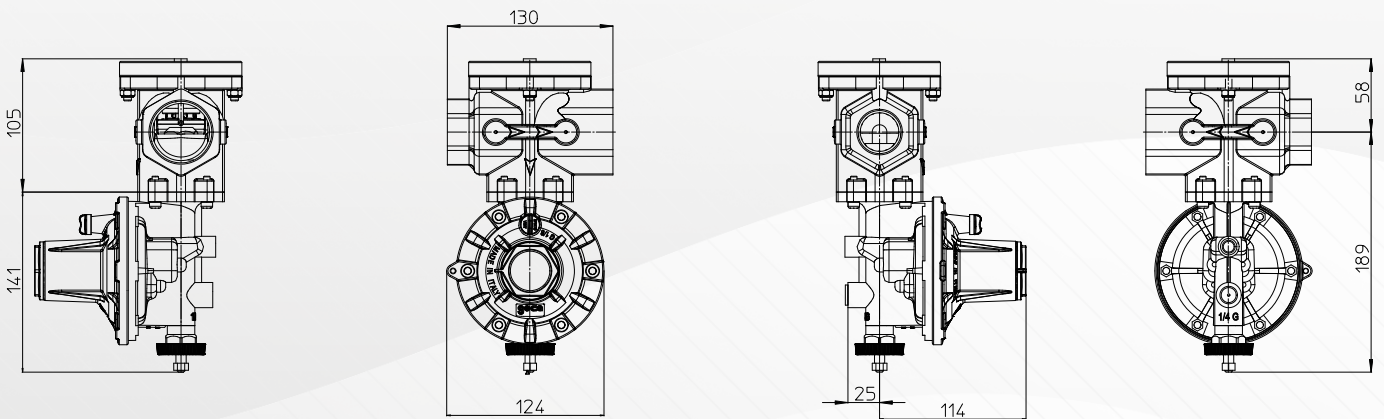
CODE	DESCRIPTION
<b>Slam Shut Valve - OPSO/UPSO</b>	
<b>Body DN25 - DN25 - High Capacity</b>	
<b>SSVD25-HC-LP/MP</b>	Slam Shut valve 2"- High Capacity - LP/MP Version - OPSO / UPSO
<b>SSVD25-HC-HP</b>	Slam Shut valve 2"- High Capacity - HP Version - OPSO / UPSO
<b>Body DN40 - DN40 - High Capacity</b>	
<b>SSVD40-HC-LP/MP</b>	Slam Shut valve DN40 - High Capacity - LP/MP Version - OPSO / UPSO
<b>SSVD40-HC-HP</b>	Slam Shut valve DN40 - High Capacity - HP Version - OPSO / UPSO
<b>Body DN50- DN50 - High Capacity</b>	
<b>SSVD50-HC-LP/MP</b>	Slam Shut valve DN50 - High Capacity - LP/MP Version - OPSO / UPSO
<b>SSVD50-HC-HP</b>	Slam Shut valve DN50 - High Capacity - HP Version - OPSO / UPSO
<b>Slam Shut Valve - OPSO</b>	
<b>Body DN25 - DN25 - High Capacity</b>	
<b>SSVD25-HC-LP/MP - OPSO</b>	Slam Shut valve 2"- High Capacity - LP/MP Version - Only OPSO
<b>SSVD25-HC-HP - OPSO</b>	Slam Shut valve 2"- High Capacity - HP Version - Only OPSO
<b>Body DN40 - DN40 - High Capacity</b>	
<b>SSVD40-HC-LP/MP - OPSO</b>	Slam Shut valve DN40 - High Capacity - LP/MP Version - Only OPSO
<b>SSVD40-HC-HP - OPSO</b>	Slam Shut valve DN40 - High Capacity - HP Version - Only OPSO
<b>Body DN50 - DN50 - High Capacity</b>	
<b>SSVD50-HC-LP/MP - OPSO</b>	Slam Shut valve DN50 - High Capacity - LP/MP Version - Only OPSO
<b>SSVD50-HC-HP - OPSO</b>	Slam Shut valve DN50 - High Capacity - HP Version - Only OPSO
<b>Slam Shut Valve - UPSO</b>	
<b>Body DN25 - DN25 - High Capacity</b>	
<b>SSVD25-HC-LP/MP - UPSO</b>	Slam Shut valve 2"- High Capacity - LP/MP Version - Only UPSO
<b>SSVD25-HC-HP - UPSO</b>	Slam Shut valve 2"- High Capacity - HP Version - Only UPSO
<b>Body DN40 - DN40 - High Capacity</b>	
<b>SSVD40-HC-LP/MP - UPSO</b>	Slam Shut valve DN40 - High Capacity - LP/MP Version - Only UPSO
<b>SSVD40-HC-HP - UPSO</b>	Slam Shut valve DN40 - High Capacity - HP Version - Only UPSO
<b>Body DN50 - DN50 - High Capacity</b>	
<b>SSVD50-HC-LP/MP - UPSO</b>	Slam Shut valve DN50 - High Capacity - LP/MP Version - Only UPSO
<b>SSVD50-HC-HP - UPSO</b>	Slam Shut valve DN50 - High Capacity - HP Version - Only UPSO

<b>CODE</b>	<b>COLOR</b>	<b>RANGE (mbar)</b>	<b>TYPE OF PRODUCT</b>
<b>OPSO</b>			
<b>SPR-OPSO</b>	<b>Red</b>	30 - 100	LP/MP
<b>SPLB-OPRO</b>	<b>Light Blue</b>	80 - 350	LP/MP
<b>SPG-OPSO</b>	<b>Green</b>	150 - 500	LP/MP
<b>SPG-OPSO</b>	<b>Green</b>	200 - 850	HP
<b>SPB-OPSO</b>	<b>Blue</b>	650 - 1200	HP
<b>SPY-OPSO</b>	<b>Yellow</b>	1000 - 1800	HP
<b>SPPU-OPSO</b>	<b>Purple</b>	1600 - 3000	HP
<b>SPW-OPSO</b>	<b>White</b>	2200 - 4000	HP
<b>SPBK-OPSO</b>	<b>Black</b>	3500 - 6000	HP
<b>UPSO</b>			
<b>SPLB-UPSO</b>	<b>Light Blue</b>	6 - 60	LP/MP
<b>SPR-UPSO</b>	<b>Red</b>	60 - 500	MP/HP
<b>SPBK-UPSO</b>	<b>Black</b>	500 - 1000	HP
<b>SPY-UPSO</b>	<b>Yellow</b>	1000 - 2000	HP
<b>SPB-UPSO</b>	<b>Blue</b>	2000 - 3500	HP

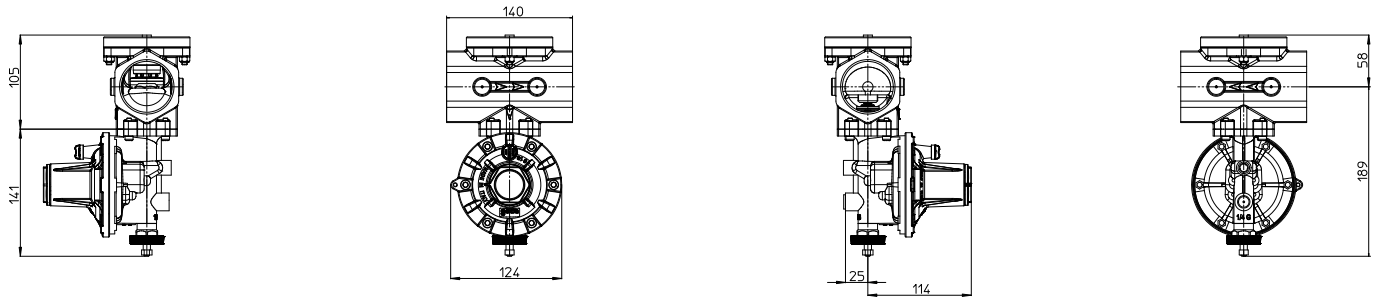
## REXI BLOCK - Slam Shut Valve 1" - 1"



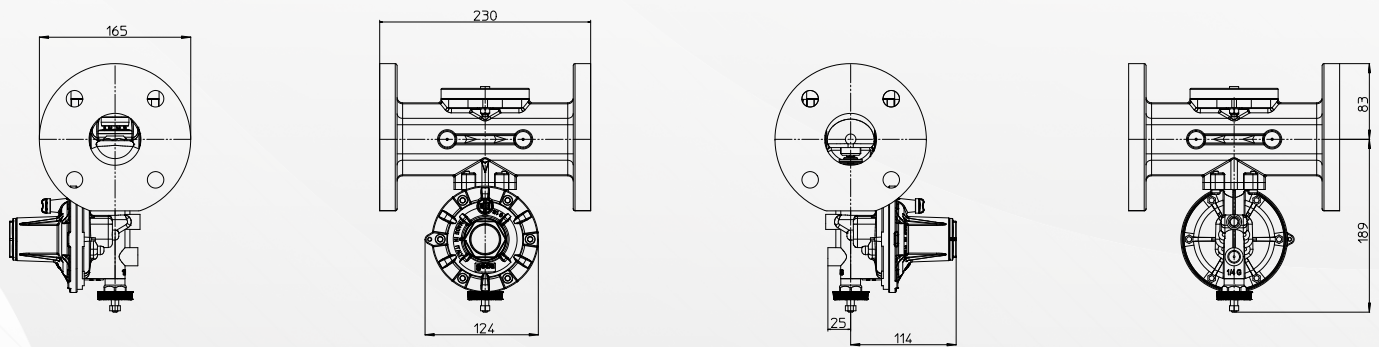
## REXI BLOCK - Slam Shut Valve 1" - 1 1/2"



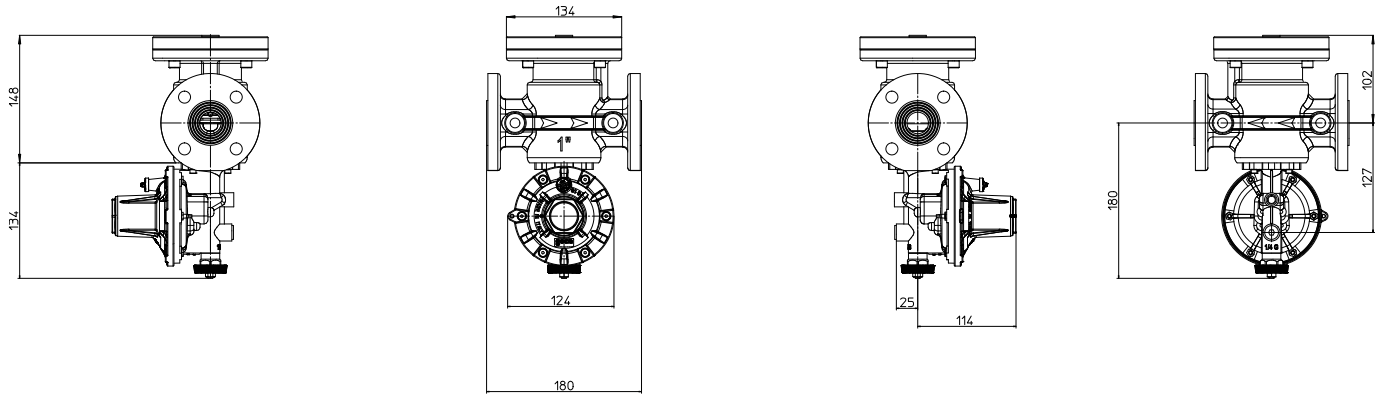
## REXI BLOCK - Slam Shut Valve 1 1/2" - 1 1/2" & 2" - 2"



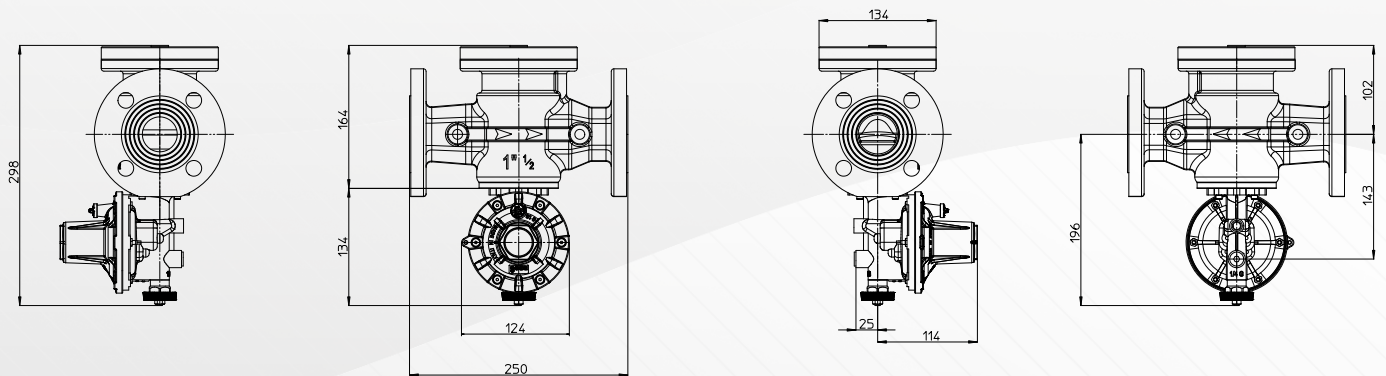
## REXI BLOCK - Slam Shut Valve DN40 - DN40 & DN50 - DN50



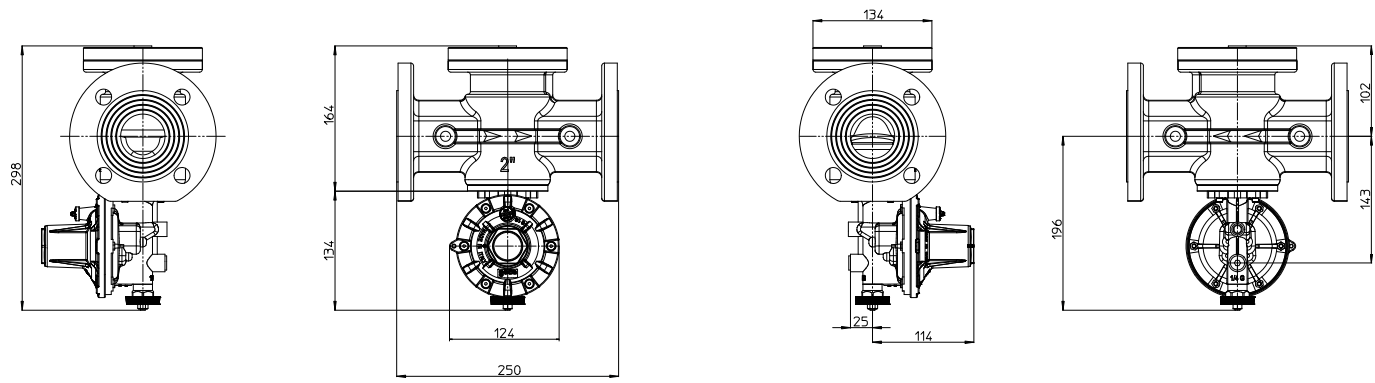
## REXI BLOCK - HC- Slam Shut Valve DN25 - DN25



## REXI BLOCK - HC - Slam Shut Valve DN40 - DN40

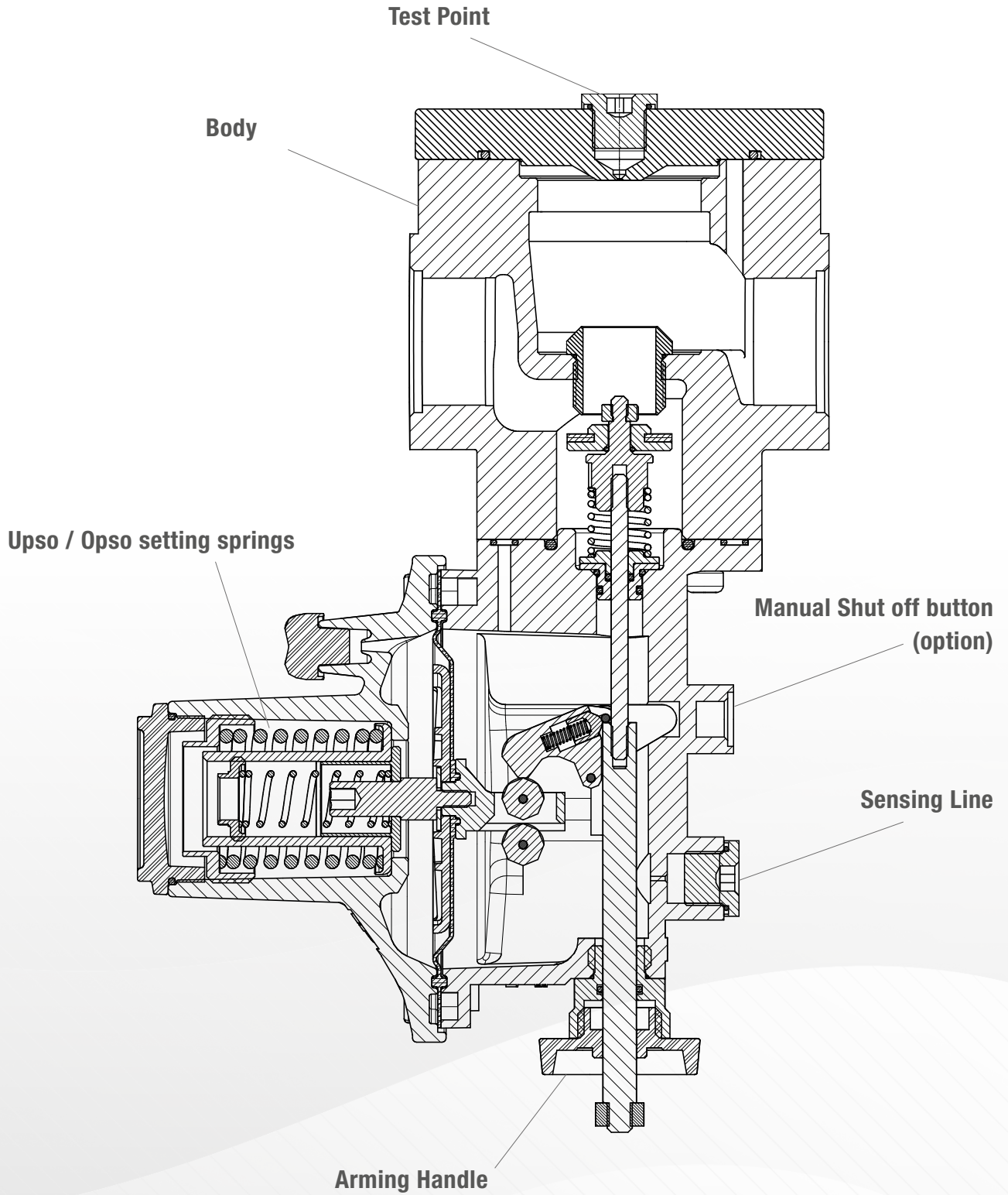


# REXI BLOCK - HC- Slam Shut Valve DN50 - DN50



# TECHNICAL DRAWING

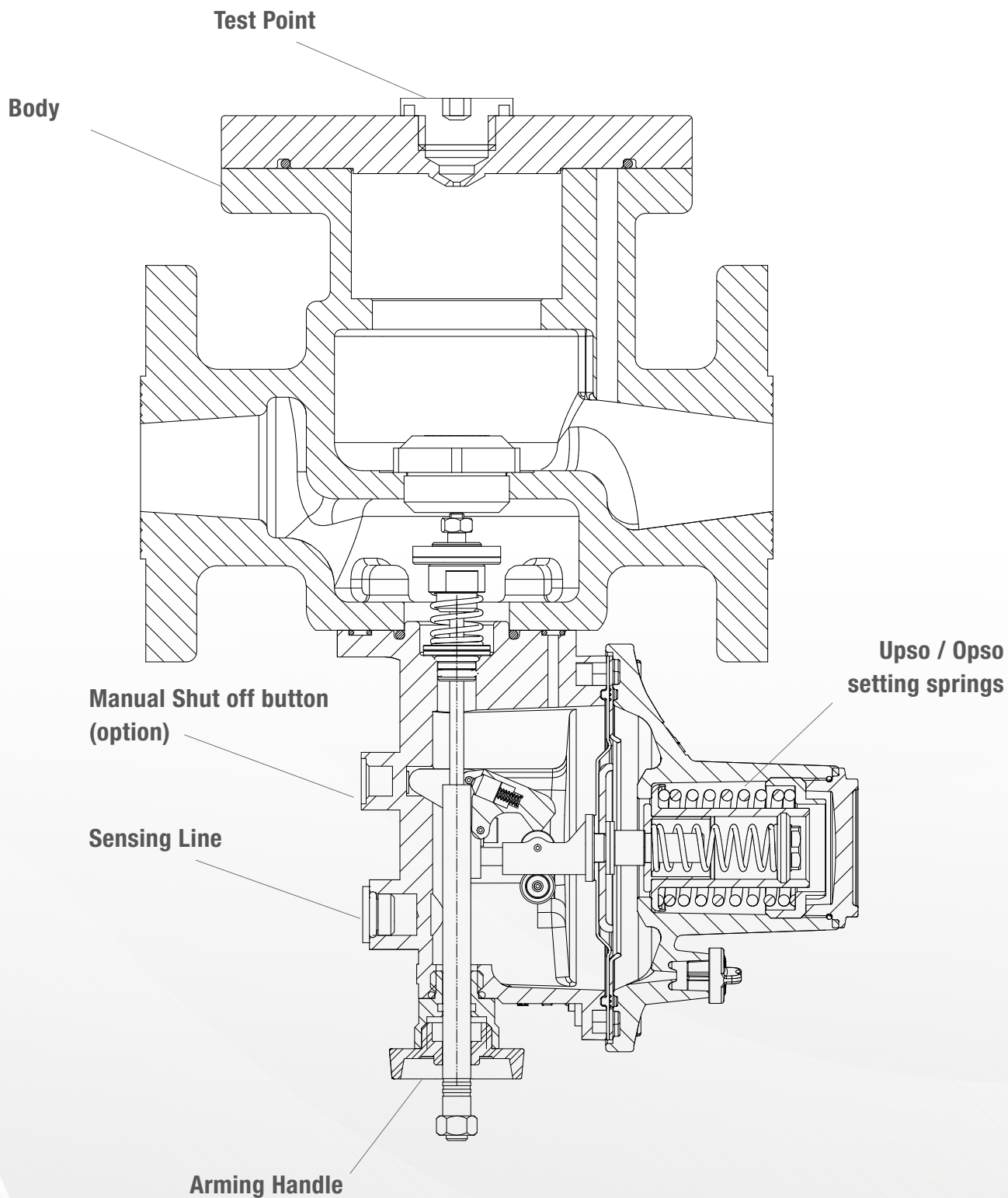
## REXI BLOCK





# TECHNICAL DRAWING

## REXI BLOCK - HC



# PRODUCT RANGE OVERVIEW



## GAS GOVERNOR

- Aluminum body
- From 1/2" to DN100
- 500 mbar / 1 bar / 2 bar / 5 bar



## AUTOMATIC GAS VALVE

- Aluminum body
- From 1/2" to DN150
- 360 mbar / 6 bar
- Fast opening / Fast closing
- Slow opening / Fast closing



## GAS FILTER

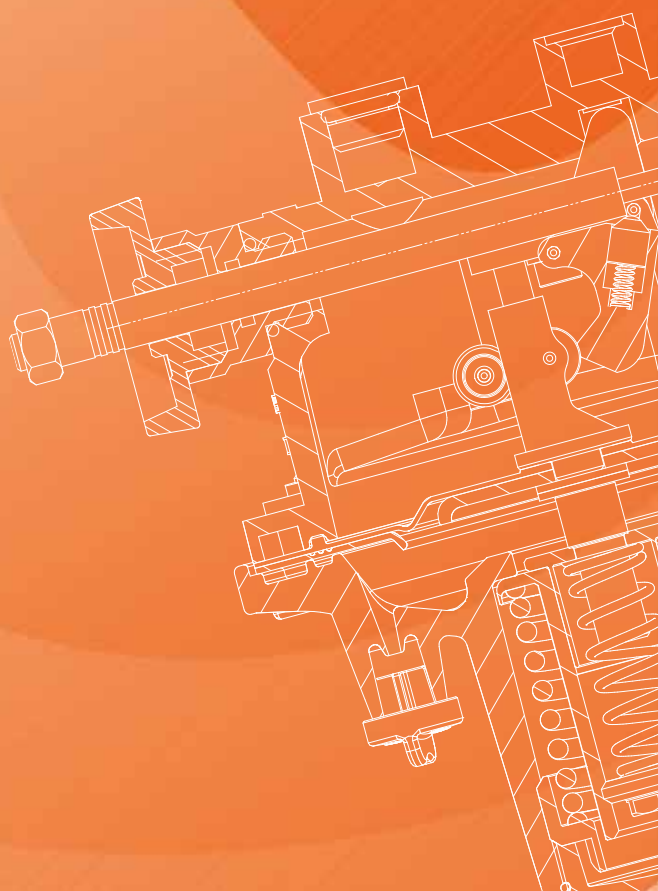
- Aluminum body
- From 1/2" to DN200
- 6 bar / 10 bar



## GAS SOLENOID VALVE

- Normally open or normally close
- 550 mbar or 6 bar
- From 1/2" to DN200
- 230 Vac – 12 Vdc/Vac – 24 Vdc/Vac / 110 Vac
- Manual / Automatic reset





Our policy of continuous product improvement, the features and data shown are subject to change without notice. The images of the products and accessories are only indicative. Graphic colors of the products may differ from reality.



**geca**

**GECA S.r.l.**  
Via E. Fermi, 98 | 25064 Gussago (BS) | ITALY  
Tel. +39 030 3730218  
Fax +39 030 3730228  
E-mail: [info@gecasrl.it](mailto:info@gecasrl.it)  
[gecasrl.it](http://gecasrl.it)

**Tecno  
control**

**Tecnocontrol S.r.l.**  
Via Miglioli, 47 | 20054 Segrate (MI) | ITALY  
Tel. +39 02 26922890  
Fax +39 02 2133734  
E-mail: [info@tecnoccontrol.it](mailto:info@tecnoccontrol.it)  
[tecnoccontrol.it](http://tecnoccontrol.it)

**CPF  
INDUSTRIALE**

**CPF Industriale S.r.l.**  
Via E. Fermi, 98 | 25064 Gussago (BS) | ITALY  
Tel. +39 030 310461  
Fax +39 030 310465  
E-mail: [info@cpfindustriale.it](mailto:info@cpfindustriale.it)  
[cpfindustriale.it](http://cpfindustriale.it)

**Marchi:**

**FRG**  
[fagonline.com](http://fagonline.com)

**YUKON**  
[yukon-air-quality.com](http://yukon-air-quality.com)